

# Survival

## Making Tools and Equipment



# Types of tools and equipment most helpful in the wilderness

- Clubs
- Edged weapons
- Throwing sticks
- Bolas
- Archery Equipment
- Lashing
- Cordage
- Rucksacks
- Cooking and eating utensils

# Clubs

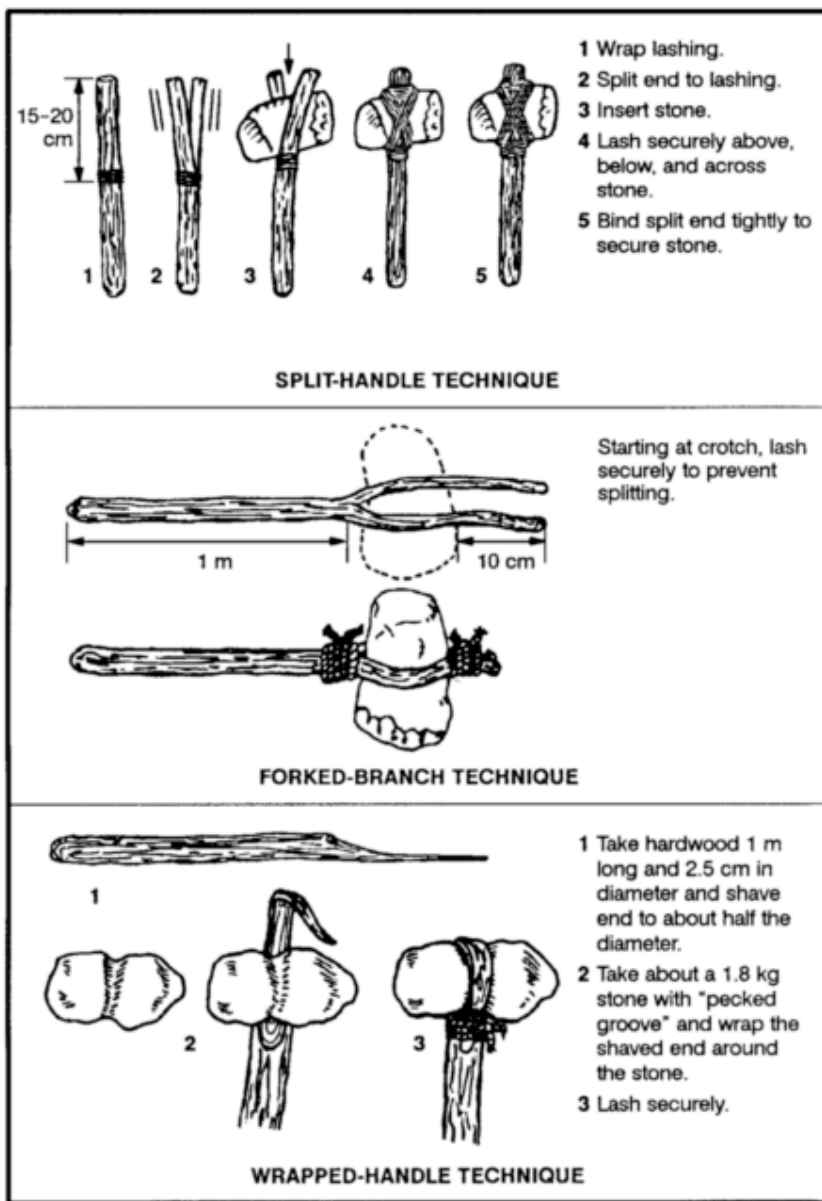


Figure 12-1. Lashing clubs.

# Swing Clubs

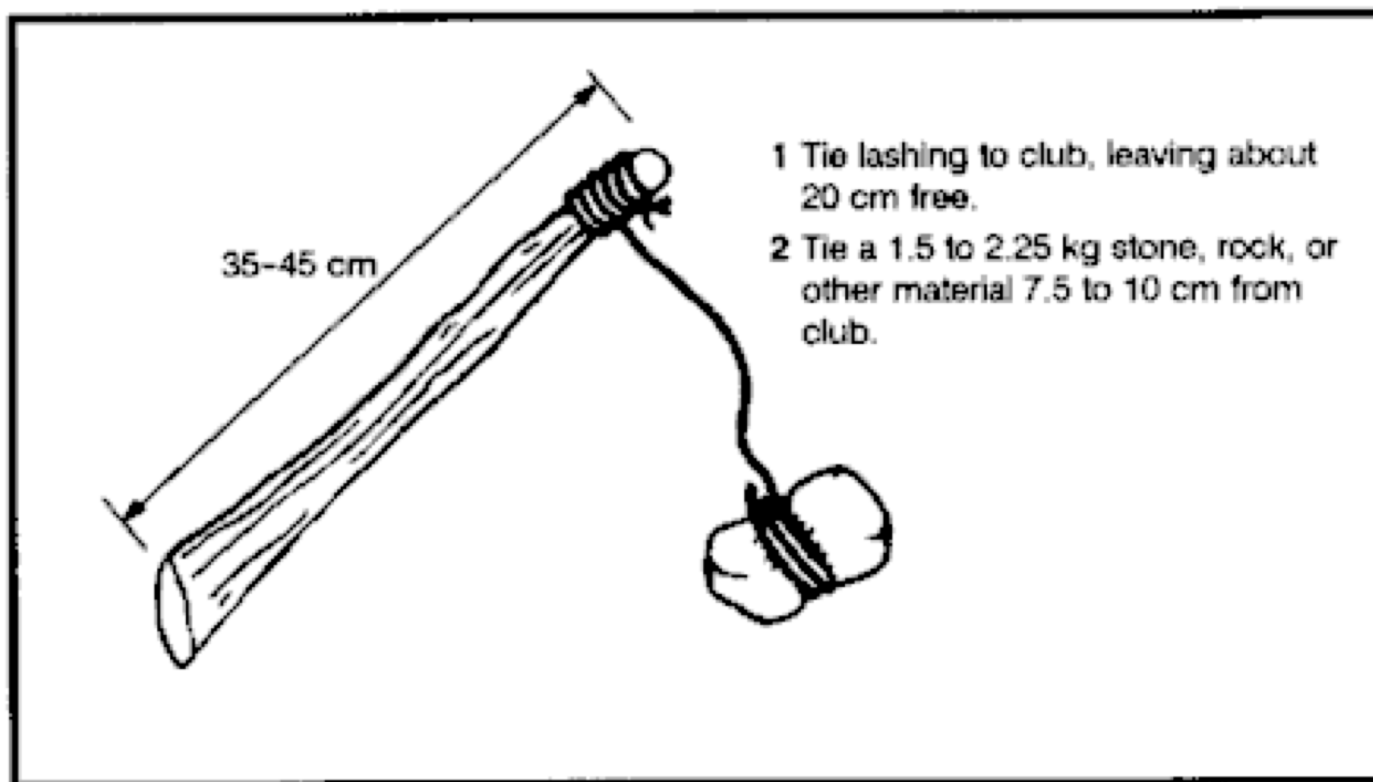


Figure 12-2. Sling club.

# Chipping Tools

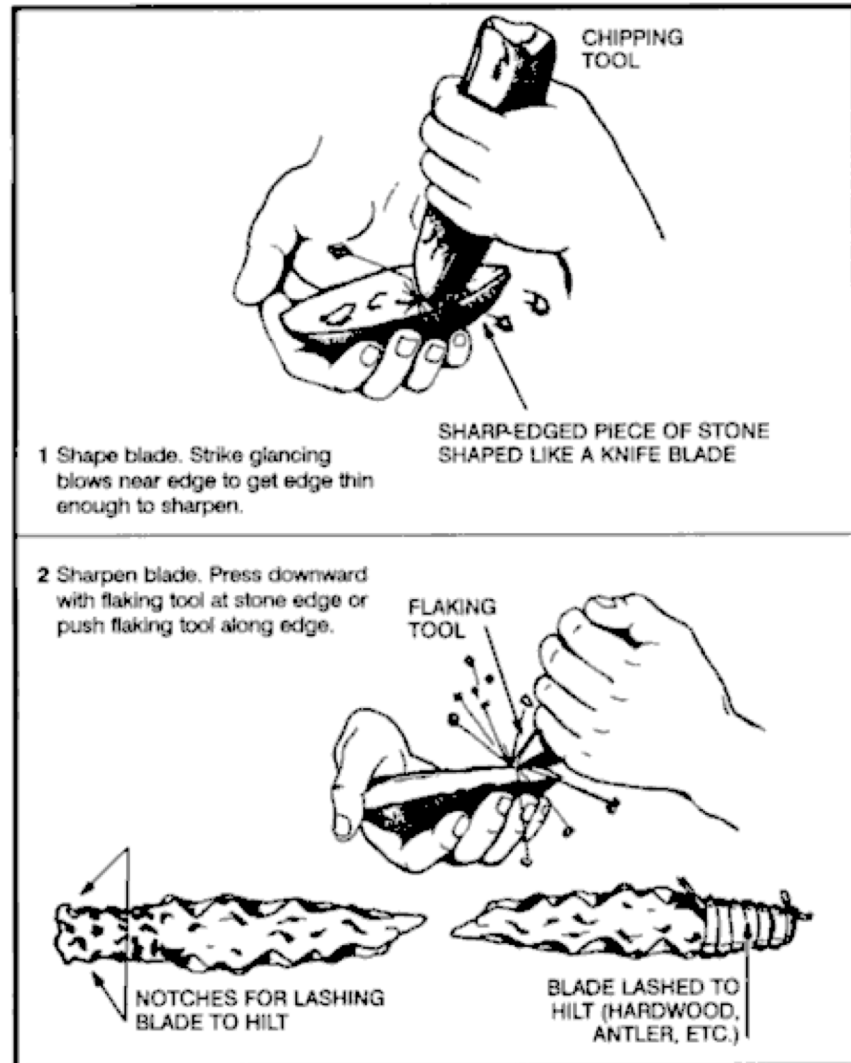


Figure 12-3. Making a stone knife.

# Spears

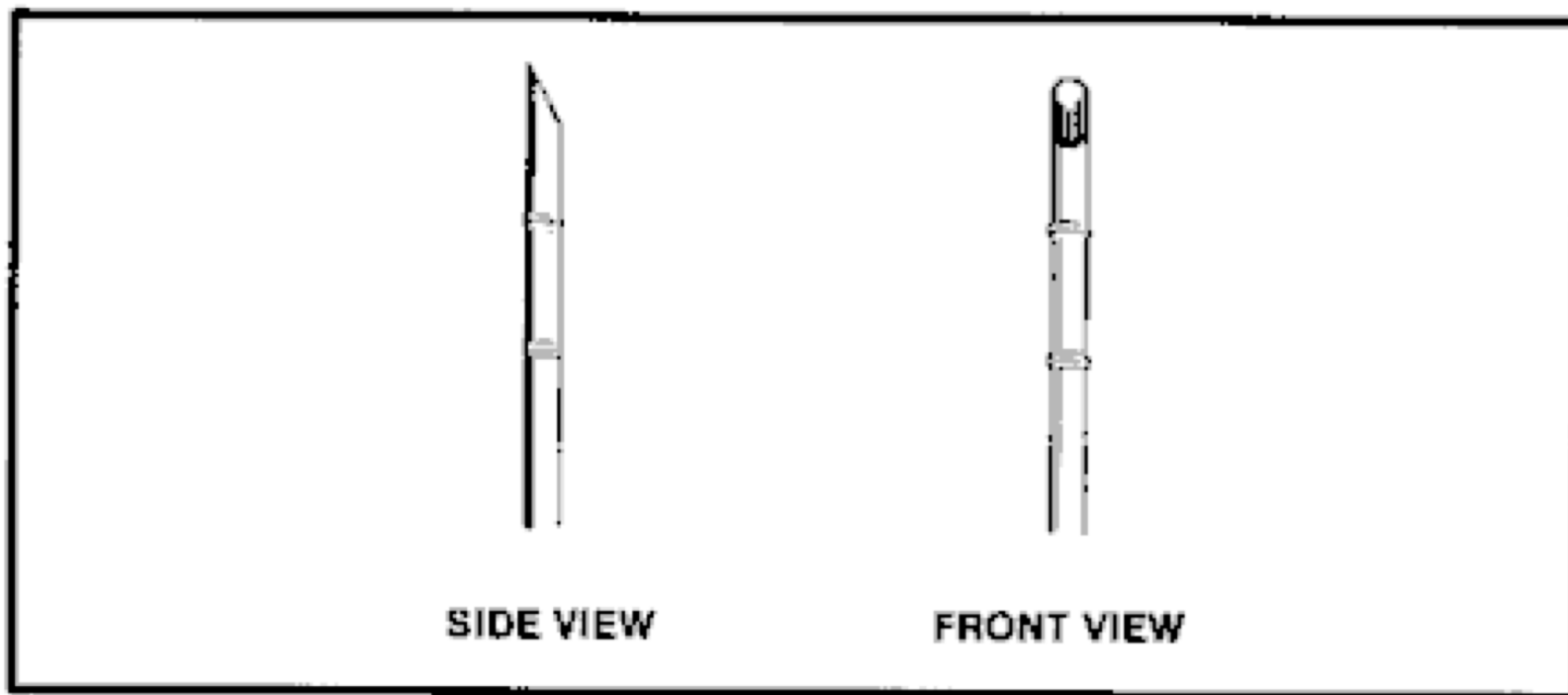


Figure 12-4. Bamboo spear.

# Rabbit Sticks

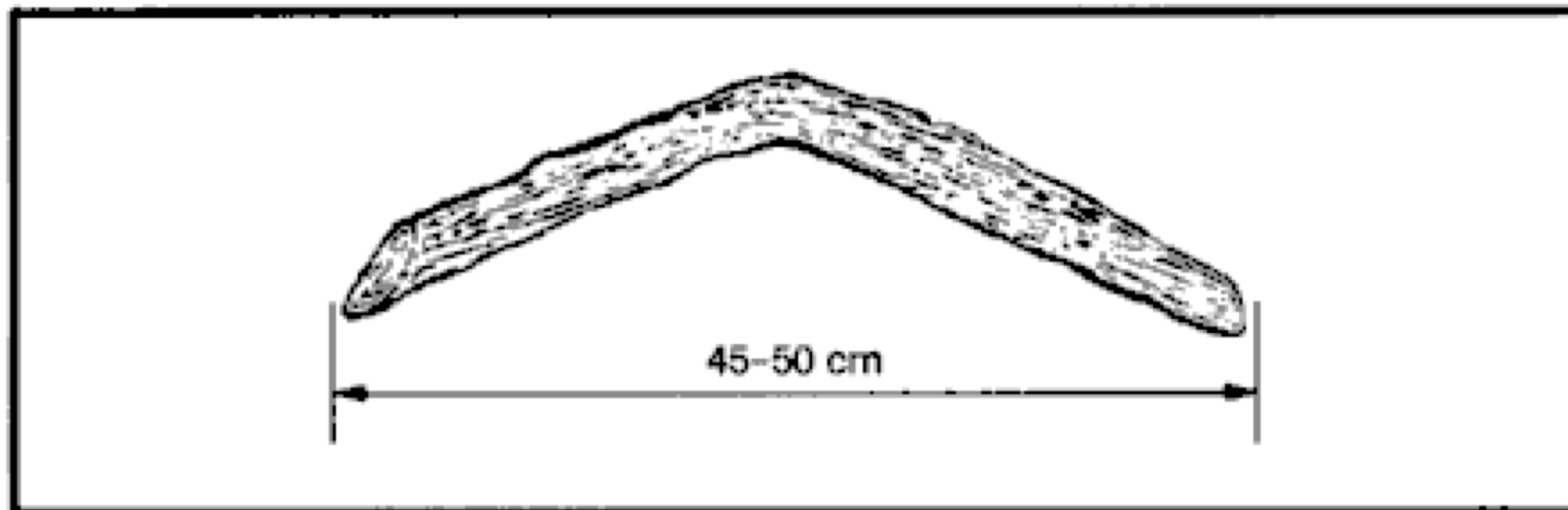


Figure 12-5. Rabbit stick.

# Archery Equipment

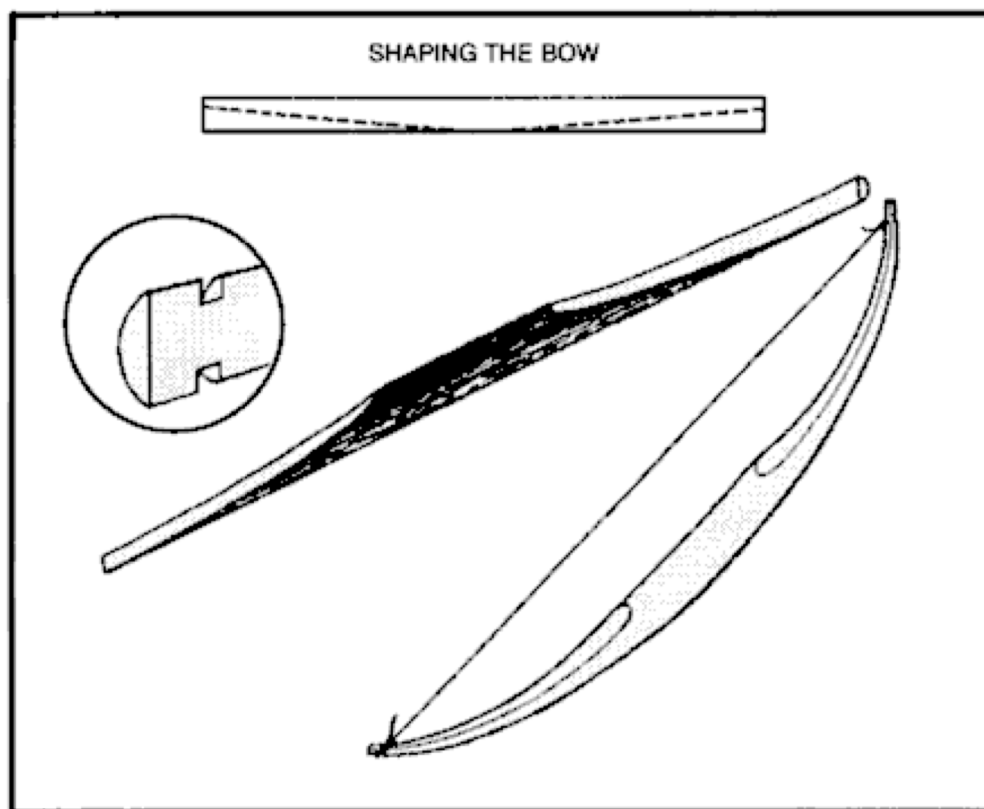


Figure 12-6. Archery equipment.



# Bolas

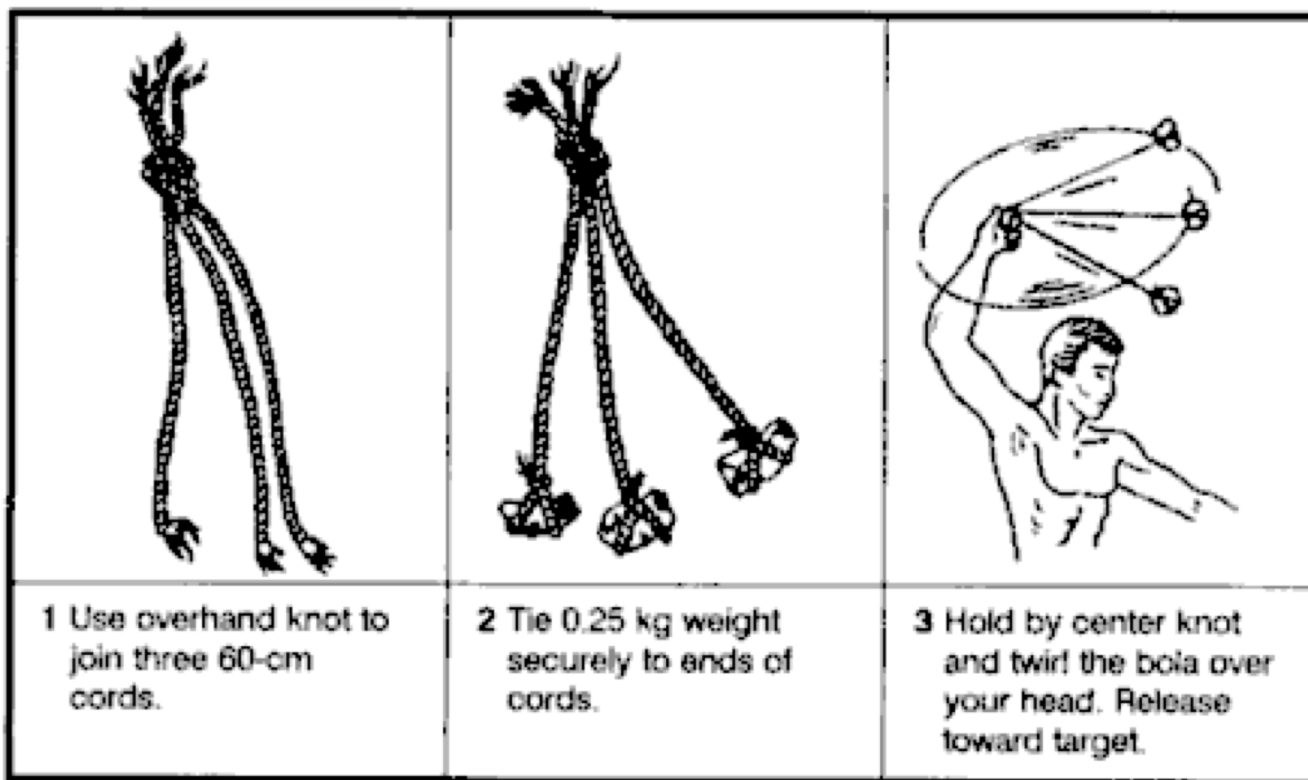


Figure 12-7. Bola.

# A Square Pack

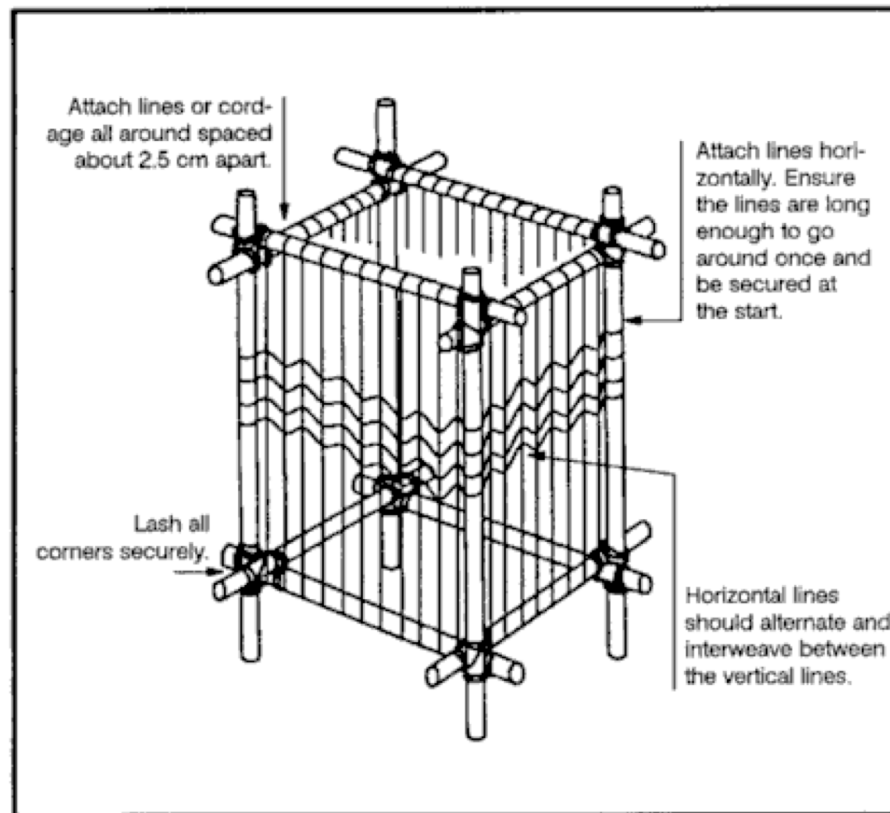


Figure 12-10. Square pack.

# Horseshoe Pack

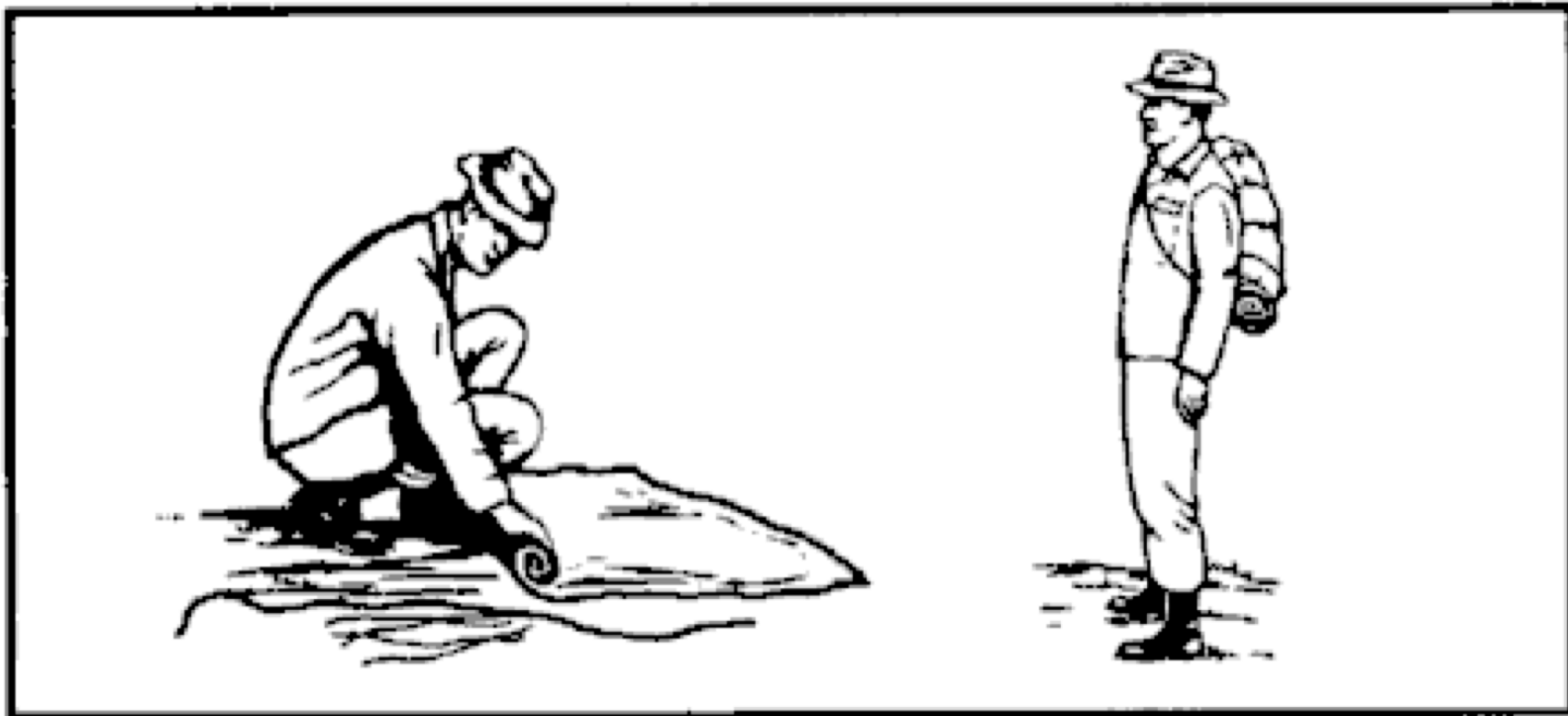


Figure 12-9. Horseshoe pack.

# Bowls and Boiling Food

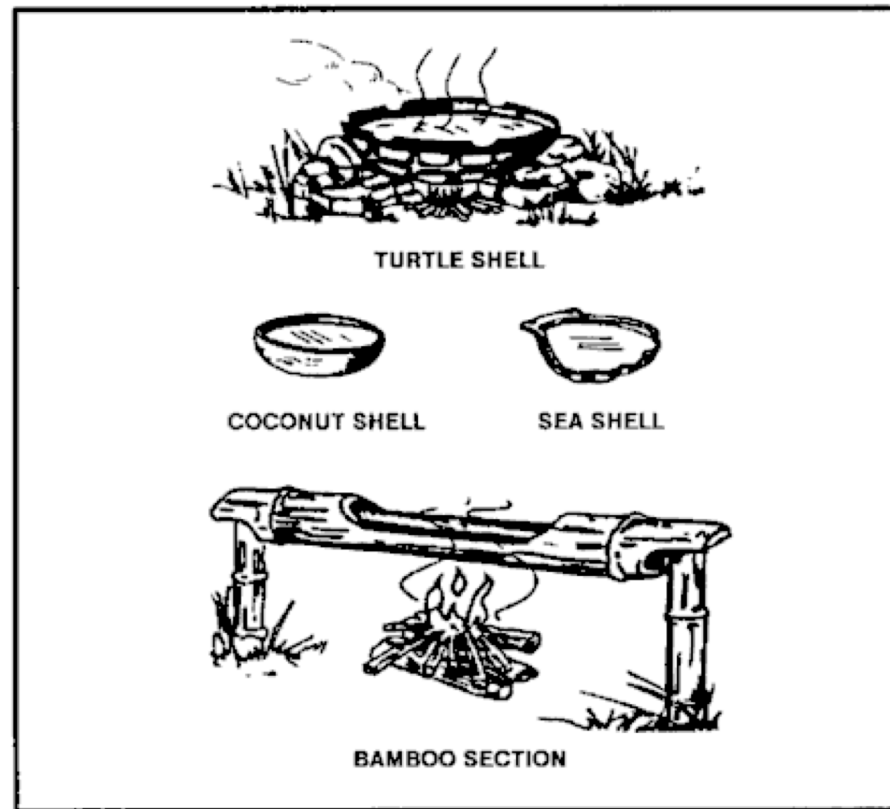


Figure 12-11. Containers for boiling food.