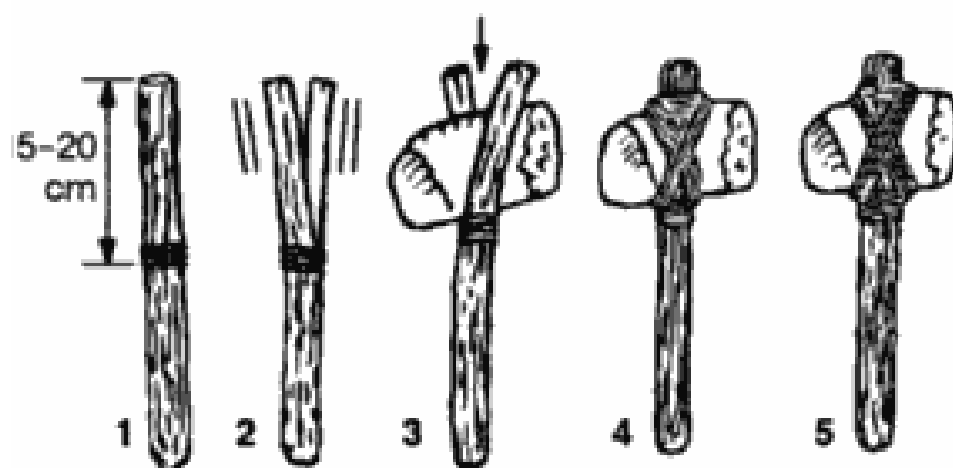
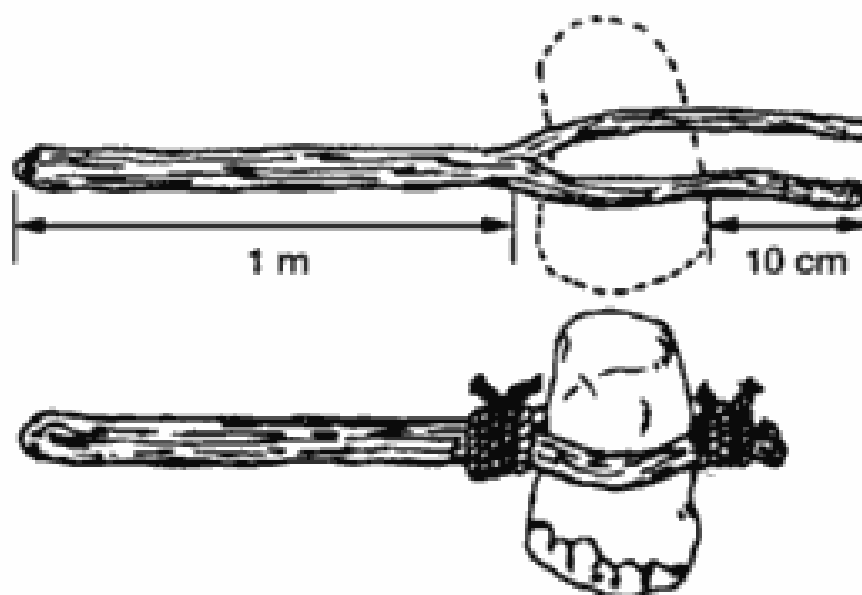


Survival: Tools



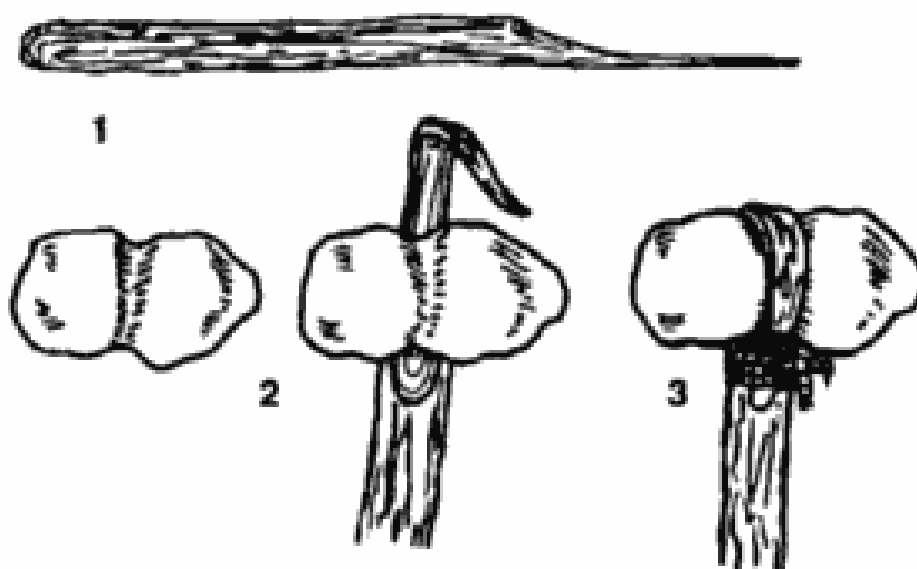
- 1 Wrap lashing.
- 2 Split end to lashing.
- 3 Insert stone.
- 4 Lash securely above, below, and across stone.
- 5 Bind split end tightly to secure stone.

SPLIT-HANDLE TECHNIQUE



Starting at crotch, lash securely to prevent splitting.

FORKED-BRANCH TECHNIQUE

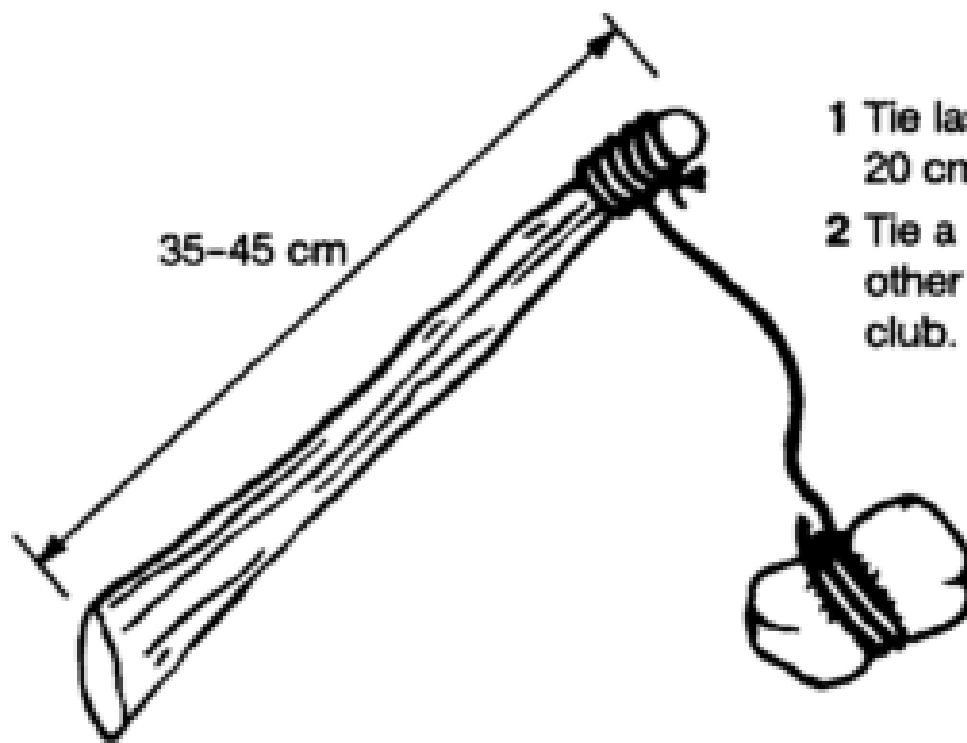


- 1 Take hardwood 1 m long and 2.5 cm in diameter and shave end to about half the diameter.
- 2 Take about a 1.8 kg stone with "pecked groove" and wrap the shaved end around the stone.
- 3 Lash securely.

WRAPPED-HANDLE TECHNIQUE

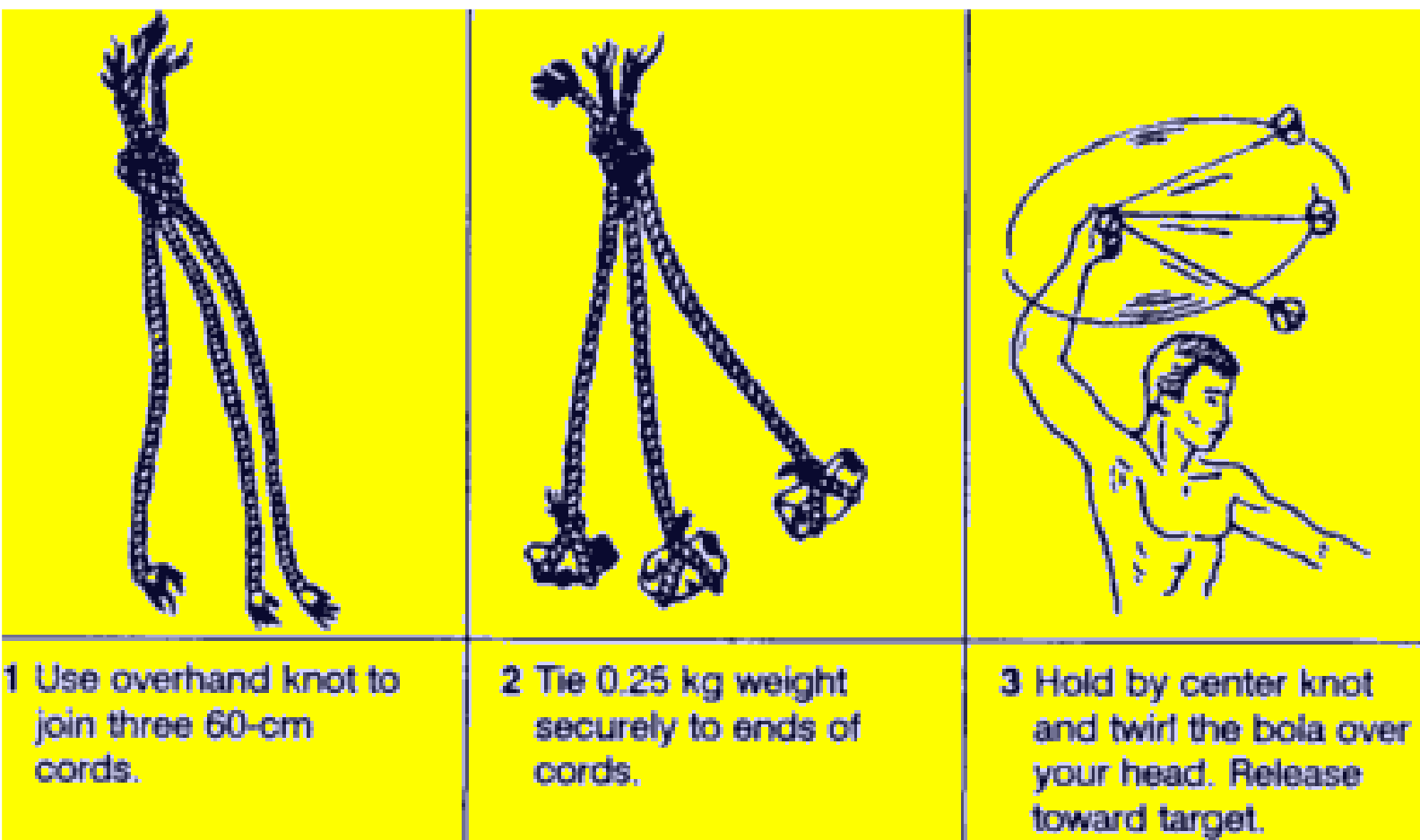
Lashing Clubs

Survival: Tools



- 1 Tie lashing to club, leaving about 20 cm free.
- 2 Tie a 1.5 to 2.25 kg stone, rock, or other material 7.5 to 10 cm from club.

Sling Club



1 Use overhand knot to join three 60-cm cords.

2 Tie 0.25 kg weight securely to ends of cords.

3 Hold by center knot and twirl the bola over your head. Release toward target.

Bola

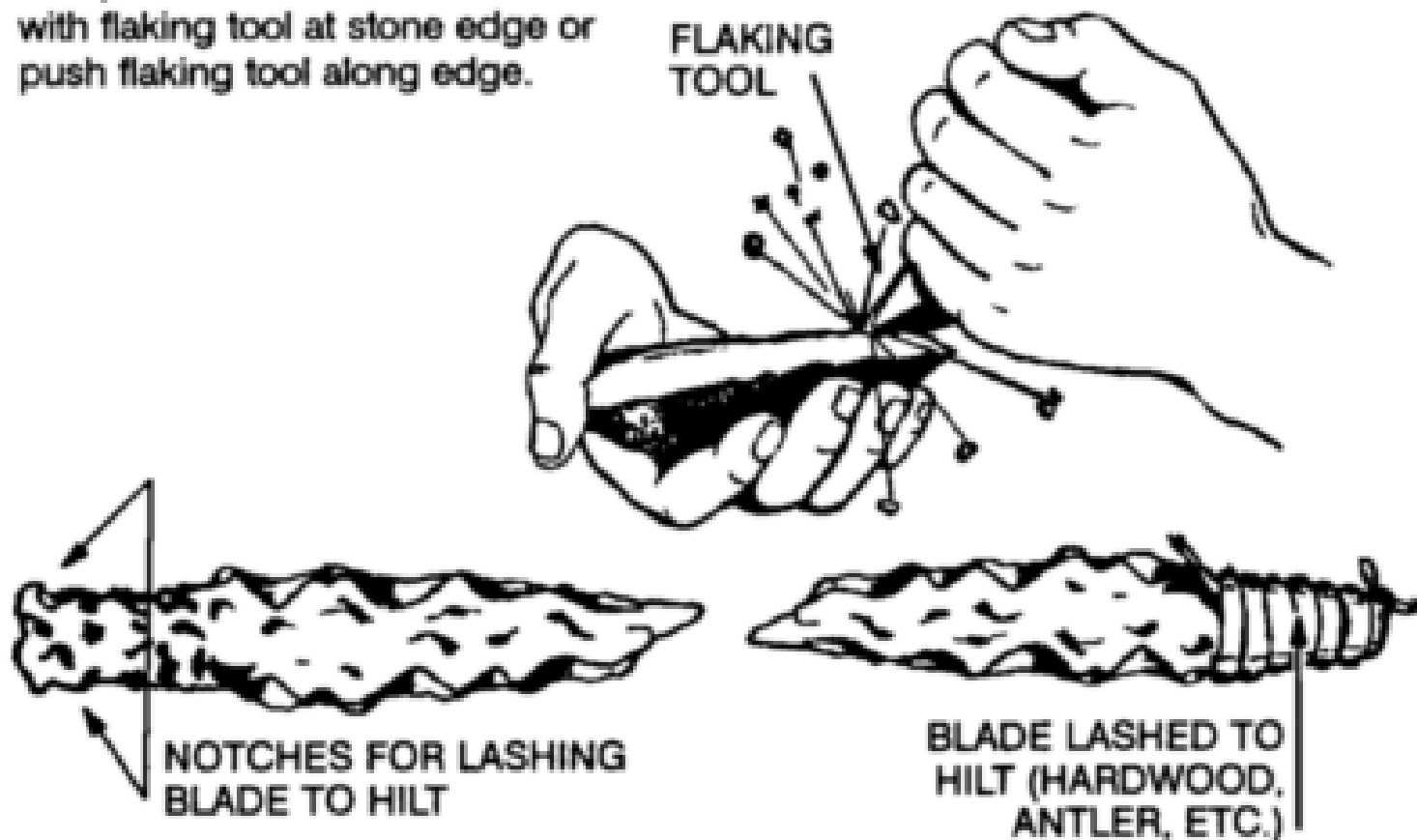
Survival: Tools



SHARP-EDGED PIECE OF STONE SHAPED LIKE A KNIFE BLADE

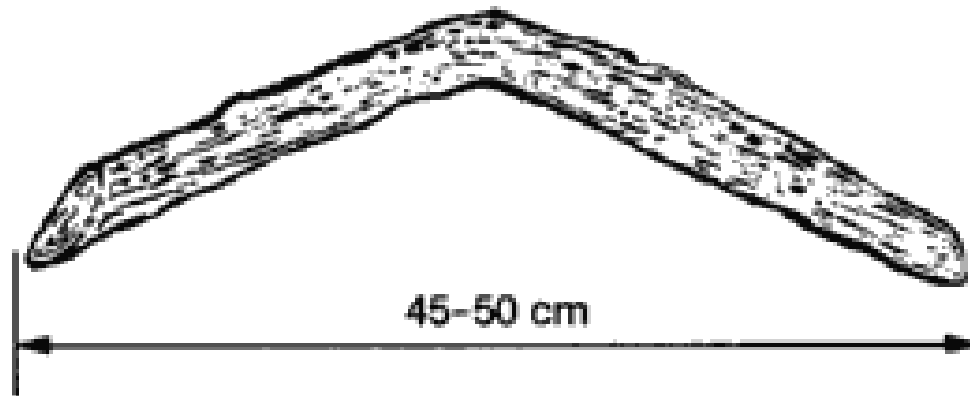
1 Shape blade. Strike glancing blows near edge to get edge thin enough to sharpen.

2 Sharpen blade. Press downward with flaking tool at stone edge or push flaking tool along edge.



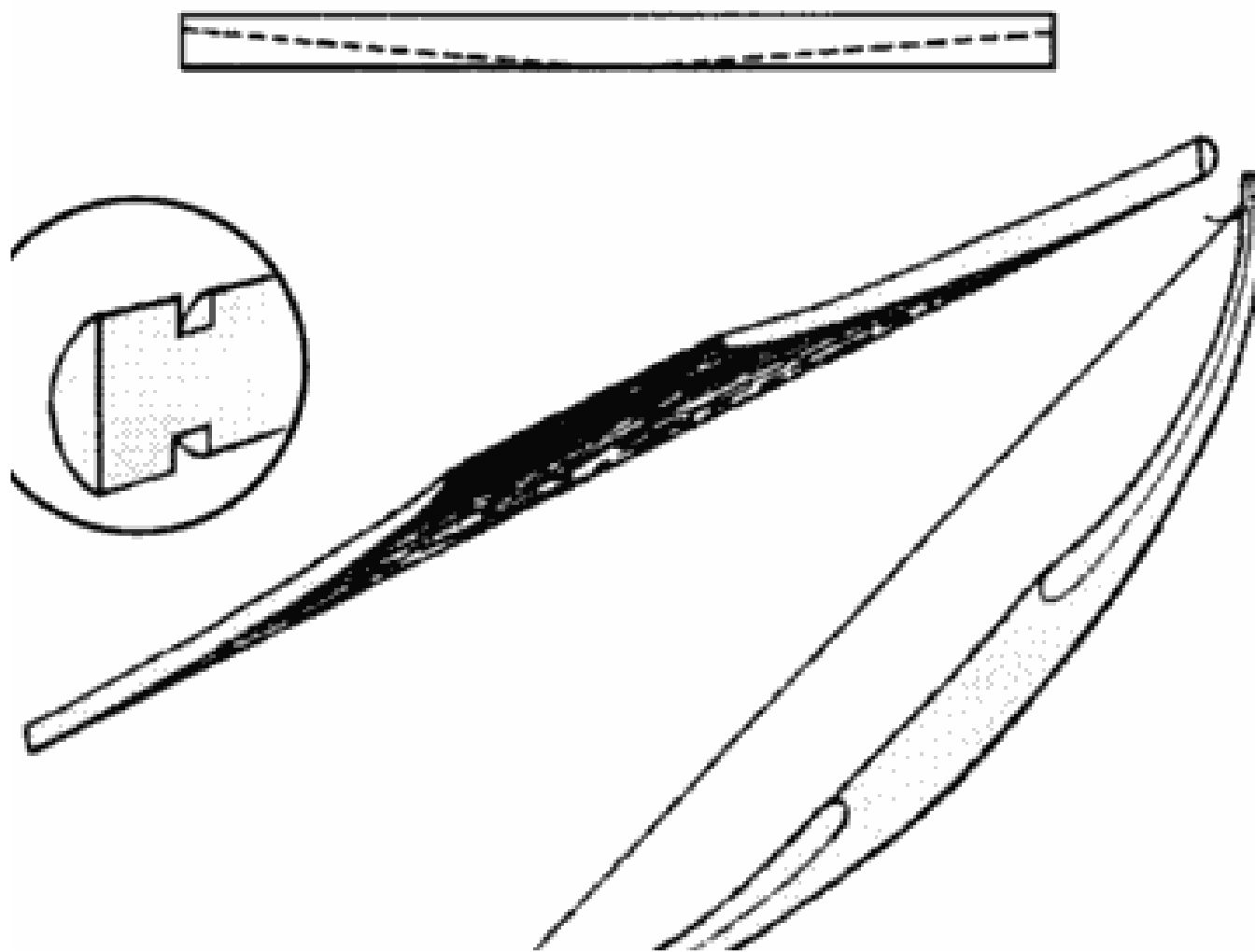
Making a Stone Knife

Survival: Tools



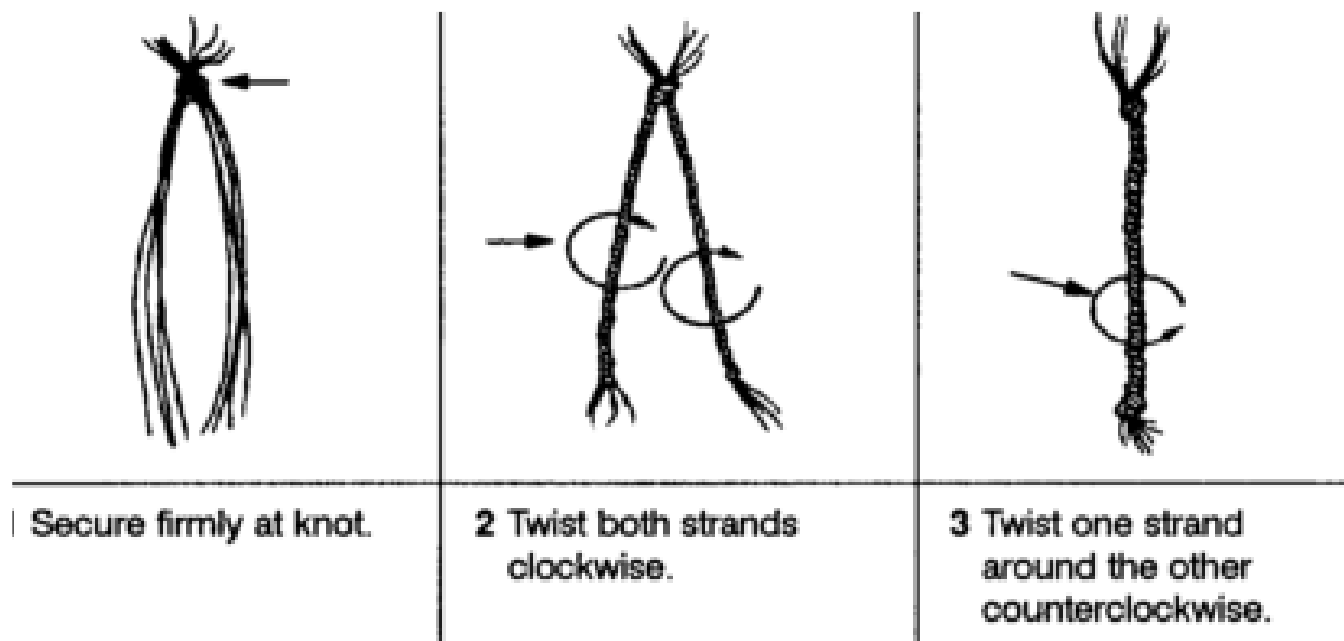
Rabbit Stick

SHAPING THE BOW

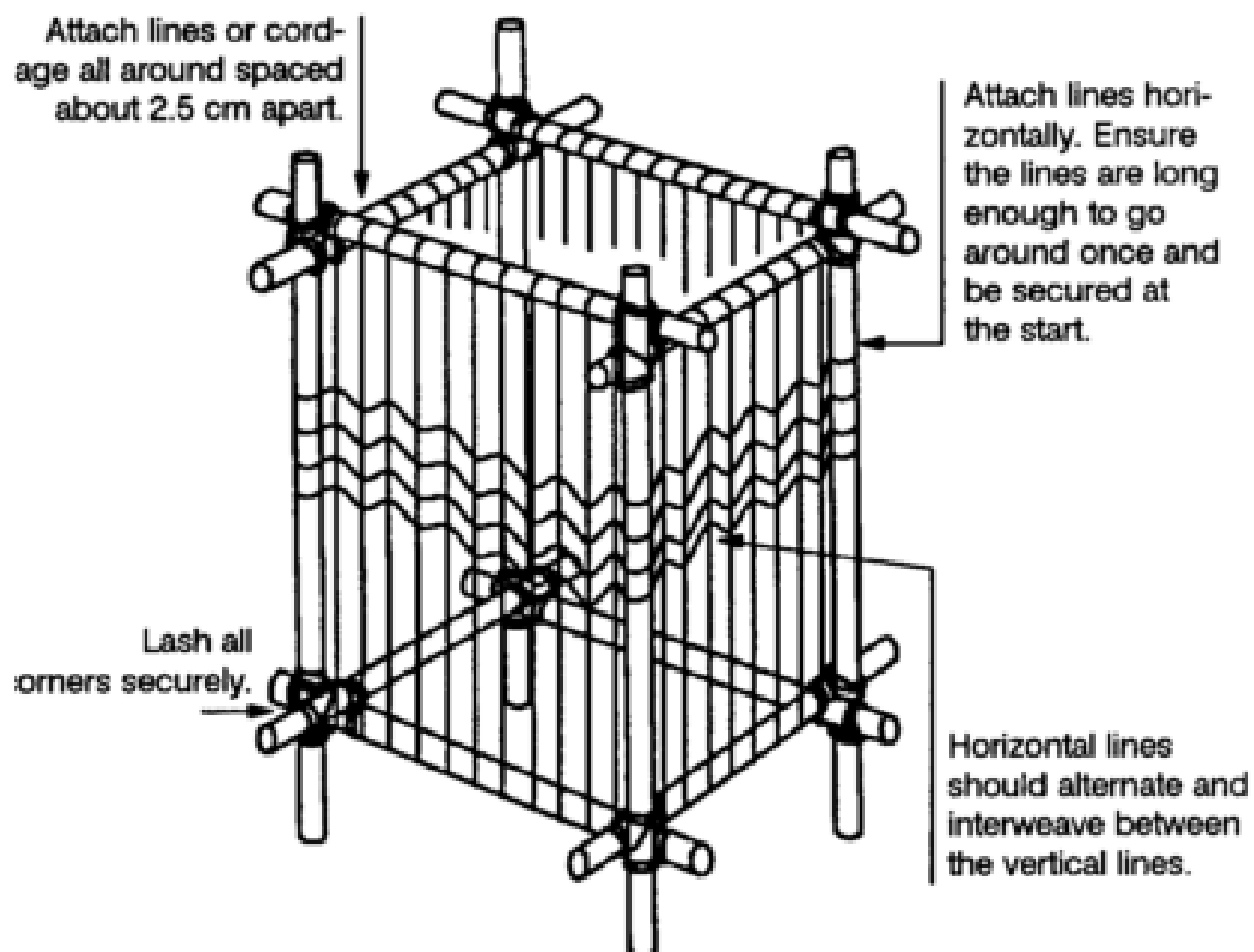


Archery Equipment

Survival: Tools



Making Lines from Plant Fibers



Square Pack

Survival: Tools



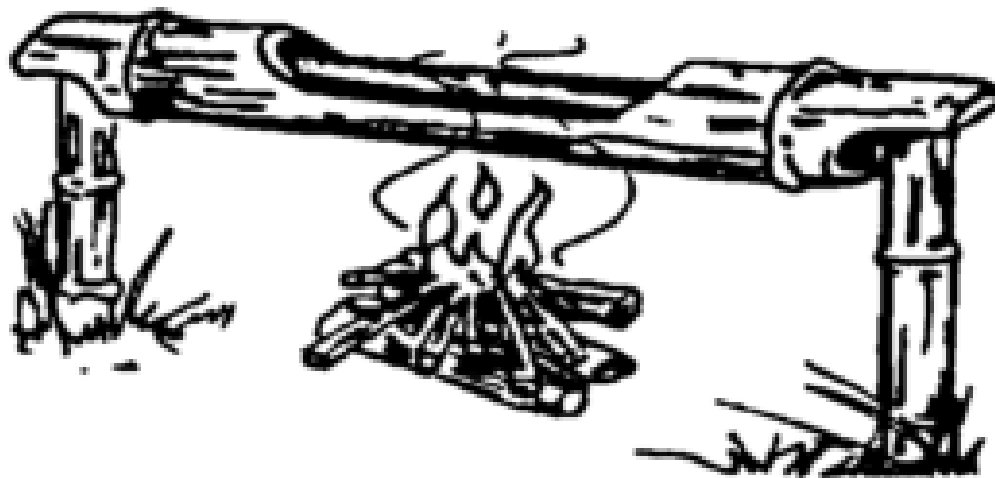
TURTLE SHELL



COCONUT SHELL



SEA SHELL



BAMBOO SECTION

Square Pack